

IES 4439-HEAD LED SyncLampSpot



PRELIMINARY SHORTFORM DATA

LED SyncLamp for High-Speed Video.

- ☺ **48 000 lm continuous**
- ☺ **>100 000 lm in sync mode**
- ☺ **Illumination angle 7°**
- ☺ **Light weight 1.5 kg**
- ☺ **Small dimensions 230 x 250 x 34 mm³**



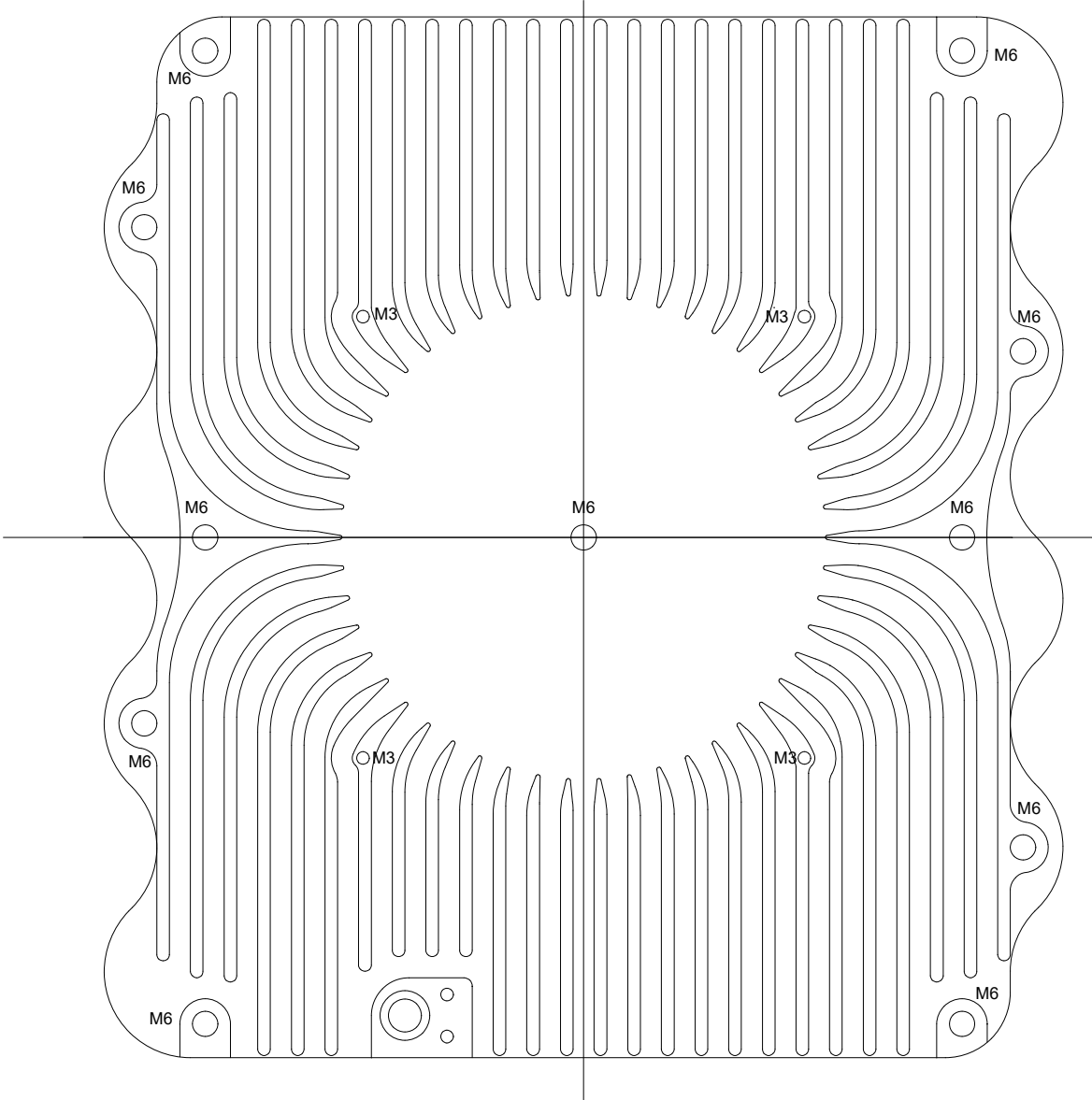
IES Ingenieurbüro für Elektronikentwicklung und Spezialgerätebau

Postanschrift
In den Waashainen 2
D-38108 Braunschweig

FON +49 531 701273-0
FAX +49 531 701273-19

Bankverbindung Postbank Hannover
BLZ 250 100 30, Konto 905 693 302
UStIDNr. DE 177335140

Mount information



Specifications

Metrics	
Dimensions	230 x 250x 34 mm ³
Weight	1.5 kg (plus cable)

Environment	
Temperature range	-40°C ... +85°C non condensing
Acceleration	not tested

Electrical Interface	
Connector	Lemo FGG.2B.310
Power	Controlled current from LED controller

Illumination Parameters	
Illumination angle	7°
Lumen output cont mode	48 000 lm
Lumen output sync mode	>100 000 lm

Illumination intensity E in klx over distance in continuous mode for 2 heads operated with LED Controller 4412 or 4812.

Distance	1 m	2 m	3 m	4 m	5 m	6 m	7 m	8 m	10 m
E in klx	1000	620	320	190	130	85	60	45	30
D in mm	250	300	400	450	650	800	900	1000	1300

Ordering information: IES 4439-HEAD

Also available:

- IES 4412 Stationary LED Controller
- IES 4812 Stationary LED Controller in 19" version
- IES 4416 Onbord LED Controller

Information is provided without warranty and is subject to change without notice. We reserve the right to make changes whenever necessary to improve to the product.

Revision 2020-09