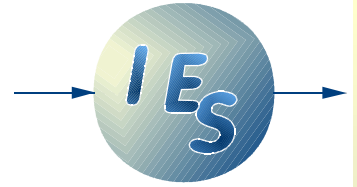


IES 4421 LED Head



PRELIMINARY SHORTFORM DATA

Modular LED Head for high speed video.

- ☺ **24000 lm**
- ☺ **Wide angle**
- ☺ **Modular design for building Arrays**
- ☺ **Dimensions 54 x 30 x 30 mm³**
- ☺ **Lilon LED Supply/Controller available**



IES Ingenieurbüro für Elektronikentwicklung und Spezialgerätebau

Postanschrift
Volkmaroder Strasse 8A
D-38104 Braunschweig

FON +49 531 701273-0
FAX +49 531 701273-19

Bankverbindung Postbank Hannover
BLZ 250 100 30, Konto 905 693 302
UStIDNr. DE 177335140

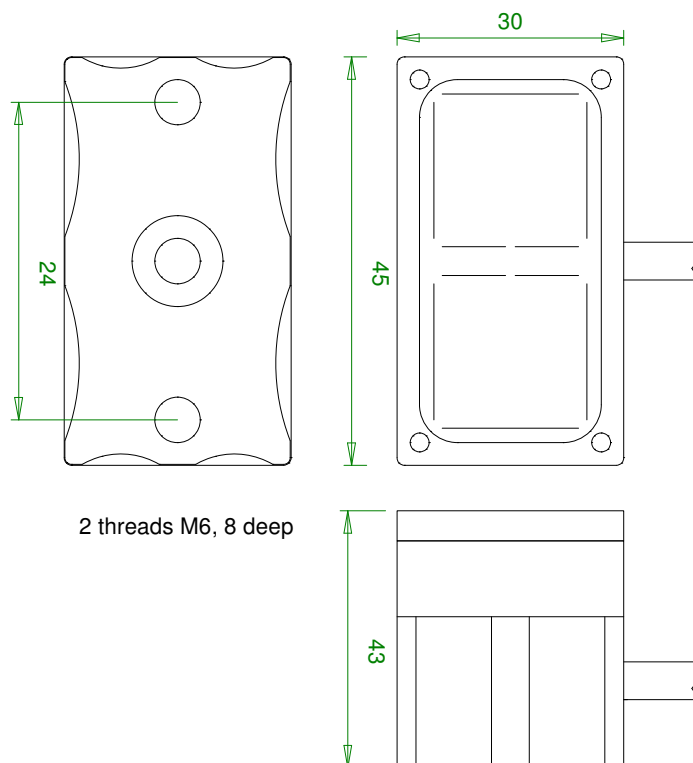
Specifications

Metrics	
Dimensions	54 x 30 x 30 mm ³
Weight	0.13 kg

Environment	
Temperature range	0 ... 50 °C
Acceleration	200 g

Electrical Interface	
Lemosia FGG.1B.306	

Illumination Parameters	
Illumination angle	120° (standard, others on request)



Ordering information: IES 4421

Also available:

- IES 4422 LED Head 12000 lm
- IES 4424 LED Sync Lamp 96000 lm
- IES 4425 LED Sync Lamp 96000 lm
- IES 4432 LED Sync Lamp 400000 lm
- IES 4411 LED Controller
- IES 4414 LED Controller

Information is provided without warranty and is subject to change without notice. We reserve the right to make changes whenever necessary to improve to the product.
Revision 2011-10